

TRACETEK TT-MINI-PROBE

LIQUID LEAK DETECTION PROBE



PRODUCT OVERVIEW

The TT-MINI-PROBE is a cost effective solution for low point leak detection. It is a special purpose probe designed to detect electrically conductive fluid leaks in space limited locations. The TT-MINI-PROBE is built using chemically resistant plastic and stainless steel materials to withstand exposure to a wide range of harsh chemicals.

Installations of the TT-MINI-PROBE at specially constructed low points in double contained pipe take advantage of the compact size and chemically resistant features of the device. In the event of a chemical leak from the carrier pipe, fluid will drain to the low point in the containment pipe, and the TT-MINI-PROBE will detect the leak.

The TT-MINI-PROBE can also be used to detect leaks in drip trays or sumps, or low spots where TraceTek sensing cables are inappropriate. The TT-MINI-PROBE will detect leaks with as little as 3 mm (1/8 inch) of the probe electrodes exposed to liquid, but the probe can be installed in virtually any position to provide optimized leak sensitivity.

The TT-MINI-PROBE can be interconnected with jumper cable and branching connectors to other TT-MINI-PROBE or TraceTek sensing cable segments, and be monitored by a TTDM-128 or TTSIM alarm module. System reliability and integrity are ensured because the TT-MINI-PROBE is designed to be an integral part of the leak detection sensor circuit. Any damage to the TT-MINI-PROBE will be immediately detected by the alarm module.

The TT-MINI-PROBE comes with a hold down clip that is useful for mounting against a sump sidewall. An optional L shaped stainless steel (SS) mounting bracket can be ordered to secure the probe vertically on flat open areas. An optional pressure-feedthrough (PFT) fitting can be ordered to secure the probe in double contained pipe applications.

Simple and easy to use

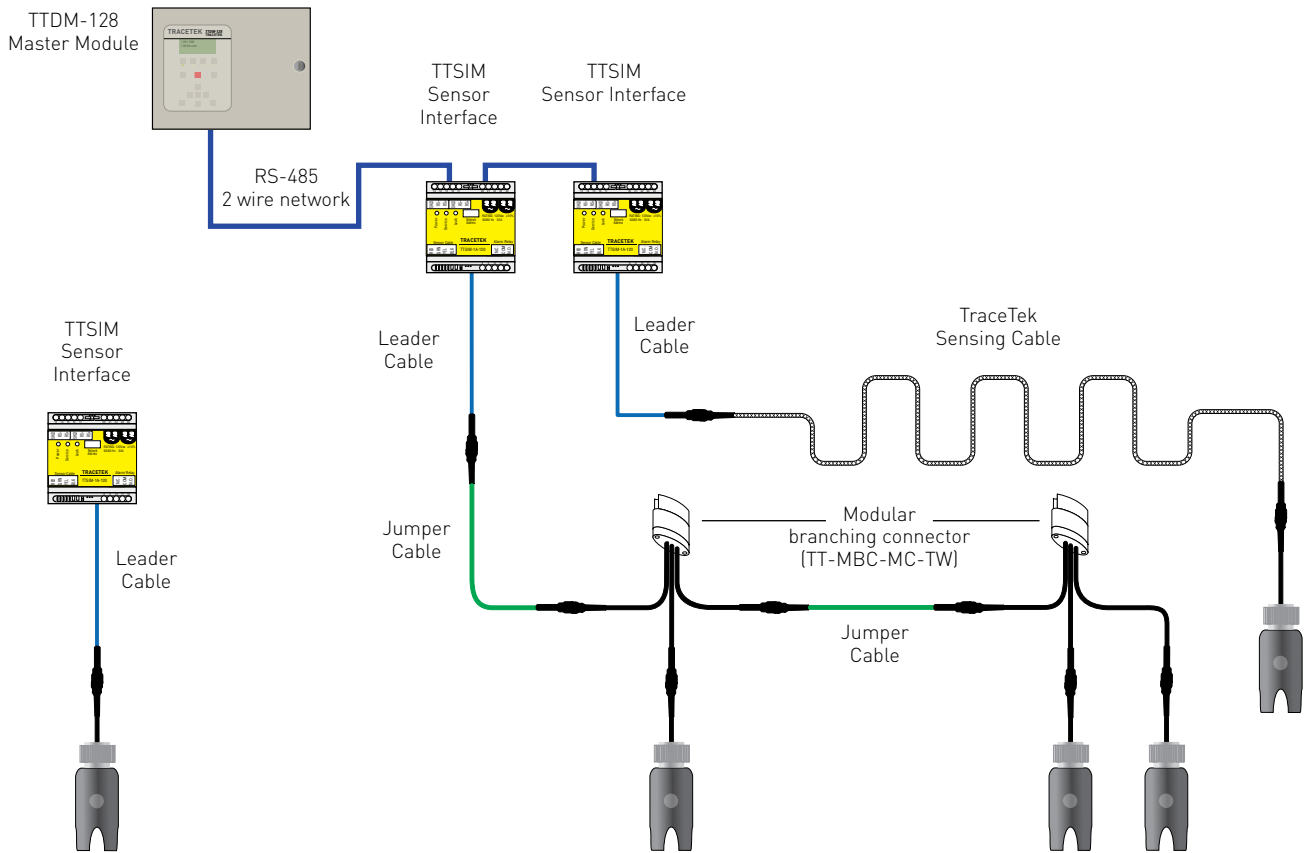
The TT-MINI-PROBE is provided with the TraceTek standard metal connector so that it can be directly connected to any TT3000, TT5000 or TT5001 modular sensing cable and accessory. The TT-MINI-PROBE can be used at any point in a TraceTek leak detection circuit where an end termination would be used. A single TT-MINI-PROBE can be connected directly to a TT-MLC-MC-BLK leader cable to create a simple single point detection circuit. Multi-point leak detection circuits can be constructed using TT-MBC-MC-TW branch connectors and multiple TT-MINI-PROBES.

TT-MINI-PROBE

Leak detection system design is very flexible with the TT-MINI-PROBE and TraceTek leak detection cable.

The illustration below shows several possible leak detection circuits constructed with the TT-MINI-PROBE and TraceTek sensing cable monitored by a TTDM-128 and TTSIM alarm modules.

POTENTIAL CONFIGURATION EXAMPLES



ORDERING INFORMATION

| Catalog number | P/N | Description |
|-------------------------------------|------------|---|
| TT-MINI-PROBE | P000000149 | Fluid leak detection probe |
| Optional Mounting Parts (Not Shown) | | |
| TT-PFT-3/4-MC | 544029-000 | Pressure rated feed through fitting, 3/4 inch NPT, BRASS |
| TT-PFT-3/4-SS/MC | 487179-000 | Pressure rated feed through fitting, 3/4 inch NPT, made of 316 SS |
| TT-FFS-MOUNTING-BRACKET | P000001040 | L shaped 306 SS bracket with cable ties for vertical mount |

PRODUCT CHARACTERISTICS

| | |
|-------------------------------------|---|
| Dimensions | 0.6 inch diameter x 1.3 inch L (16 mm diameter x 34 mm L) |
| Weight | 0.1 lb (0.05 kg) nominal |
| Materials | Electrodes - 302 Stainless steel; Housing - black NORYL® plastic |
| Mounting part provided | Comes with Hold Down Clip (alternate mounting parts available separately) |
| Ambient temperature range | Min 0°F (-18°C); Max 194°F (90°C) |
| Connections | TraceTek male (pin) metal connector can be attached to any TraceTek female (socket) metal connector |
| Minimum water depth to trigger leak | 0.12 inch (3 mm) |



WWW.PENTAIRTHERMAL.COM

NORTH AMERICA

Tel: +1.800.545.6258
Fax: +1.800.527.5703
Tel: +1.650.216.1526
Fax: +1.650.474.7215
thermal.info@pentair.com

EUROPE, MIDDLE EAST, AFRICA

Tel: +32.16.213.511
Fax: +32.16.213.603
thermal.info@pentair.com

ASIA PACIFIC

Tel: +86.21.2412.1688
Fax: +86.21.5426.2937
cn.thermal.info@pentair.com

LATIN AMERICA

Tel.: +1.713.868.4800
Fax: +1.713.868.2333
thermal.info@pentair.com

Pentair is owned by Pentair or its global affiliates. All other trademarks are the property of their respective owners. Pentair reserves the right to change specifications without prior notice.

© 2011–2016 Pentair.

@pentairTBS