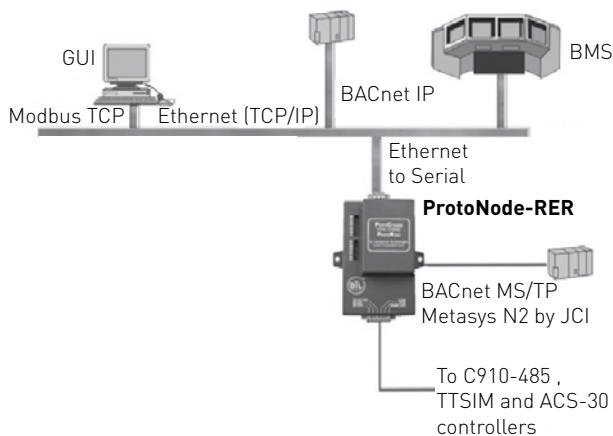
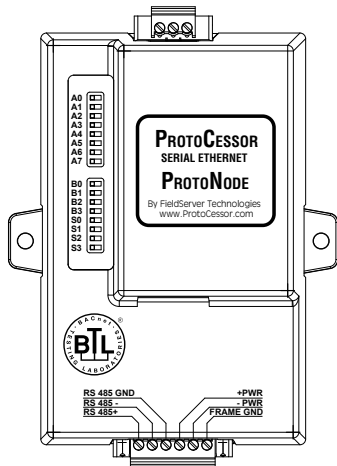


Raychem PROTONODE

MULTI-PROTOCOL DEVICE GATEWAY

ProtoNode-RER and ProtoNode-RER-10K



PRODUCT OVERVIEW

The Raychem ProtoNode is an external, high performance multi-protocol gateway for customers needing protocol translation between Building Management Systems (BMS) using BACnet® or Metasys® N2 and the Raychem C910-485, ACS-30 or TTSIM controllers.

The Raychem ProtoNode-RER and ProtoNode-RER-10K come pre-programmed with the C910-485, ACS-30 and TTSIM Modbus® profiles for simple integration into a BMS. One ProtoNode can connect to: one ACS-30 system or up to six C910-485 controllers or up to one hundred TTSIM modules.

ProtoNode-RER: Provides support for Modbus RTU to BACnet MS/TP, BACnet IP (BTL Certified), and Metasys N2 protocol translation for C910-485, TTSIM and smaller scale ACS-30 systems (up to 5 PCM panels). The gateway features an ARM9 processor for fast performance and includes two RS-485 and one Ethernet ports.

ProtoNode-RER-10K: Provides support for Modbus RTU to BACnet MS/TP, BACnet IP (BTL Certified), and Metasys N2 protocol translation for larger ACS-30 systems (up to 34 PCM panels). The gateway features an ARM9 processor for fast performance and includes two RS-485 and one Ethernet ports.

Features and benefits:

- The most flexible and versatile multiprotocol device server on the market
- BACnet International's BTL Certification makes the ProtoNode-RER the most reliable gateway on the market
- Multi-client and multi-server support ensures interoperability between any Industrial and or Building Automation protocols
- Flash upgradable

For additional information, contact your Pentair Thermal Management representative or call (800) 545-6258.

APPROVALS



BACnet Testing Labs (BTL) B-ASC on ProtoNode-RER

PROTONODE MULTI-PROTOCOL DEVICE SERVER

SPECIFICATIONS

ProtoNode-RER & ProtoNode-RER-10K	
Electrical connections	<ul style="list-style-type: none">• One 6-pin Phoenix connector, one RS-485 +/- ground port, power +/- frame ground port• One 3-pin RS-485 Phoenix connector, one RS-485 +/- ground port• One Ethernet-10/100 Ethernet port
Power requirements	9-30 Vdc or Vac, or 5 Vdc
Current draw	150 mA @ 12 V
Supported field protocols	<ul style="list-style-type: none">• BACnet IP (Ethernet)• BACnet MS/TP (RS-485)• Metasys N2 open (RS-485)
Operating temperature	-40°F to 187°F [-40°C to 85°C]
Relative humidity	5-90% RH, noncondensing
Enclosure dimensions	4.37 in L x 2.75 in W x 1.50 in H (11.10 cm L x 7.00 cm W x 3.81 cm H)

NUMBER OF PROTONODE / CONTROLLER CONNECTIONS

Description	ProtoNode-RER	ProtoNode-RER-10K
C910-485	6	N/A
TTSIM modules	100	N/A
ACS-PCM2-5 Panels	5	34

ORDERING DETAILS

Description	Catalog number	Part number	Weight (lbs)
Raychem ProtoNode-RER: BACnet MSTP/IP and Metasys N2 protocol gateway	ProtoNode-RER	P000002008	1.3
Raychem ProtoNode-RER-10K : BACnet MSTP/IP and Metasys N2 protocol gateway	ProtoNode-RER-10K	P000001983	1.3



WWW.PENTAIRTHERMAL.COM

NORTH AMERICA

Tel: +1.800.545.6258
Fax: +1.800.527.5703
Tel: +1.650.216.1526
Fax: +1.650.474.7711
thermal.info@pentair.com

EUROPE, MIDDLE EAST, AFRICA

Tel: +32.16.213.511
Fax: +32.16.213.603
thermal.info@pentair.com

ASIA PACIFIC

Tel: +86.21.2412.1688
Fax: +86.21.5426.2937
cn.thermal.info@pentair.com

LATIN AMERICA

Tel.: +1.713.868.4800
Fax: +1.713.868.2333
thermal.info@pentair.com

Pentair is owned by Pentair or its global affiliates. All other trademarks are the property of their respective owners. Pentair reserves the right to change specifications without prior notice.