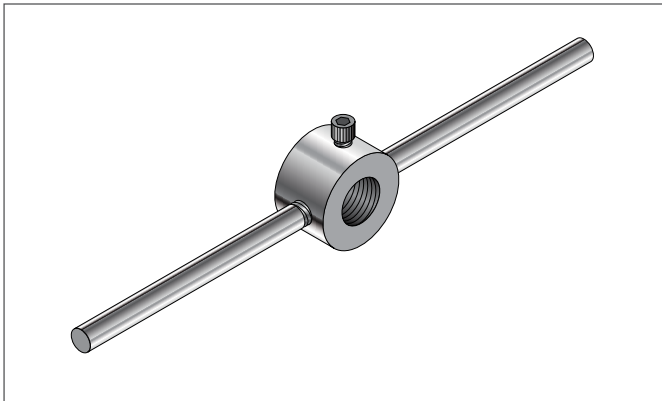


PYROTENAX PYROPOTTER

USER INSTRUCTIONS FOR TOOL USED TO THREAD BRASS POTS ONTO COPPER SHEATHED MINERAL INSULATED WIRING CABLES



DESCRIPTION

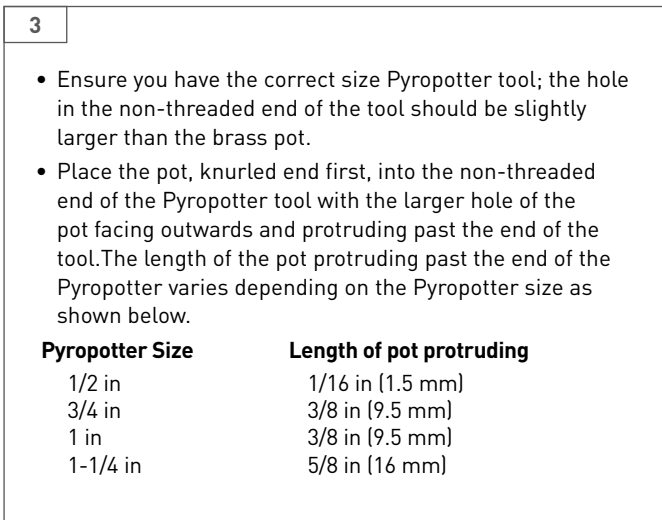
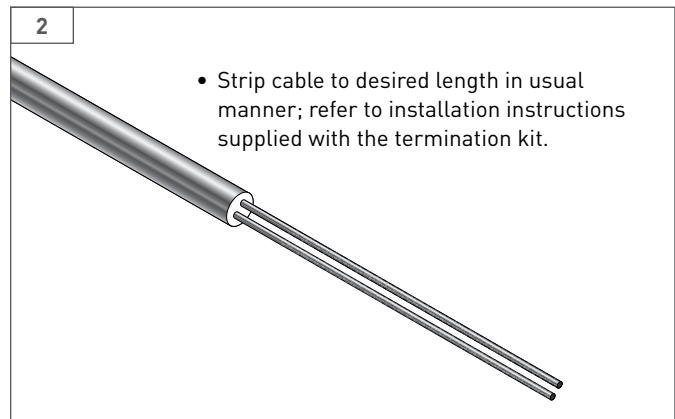
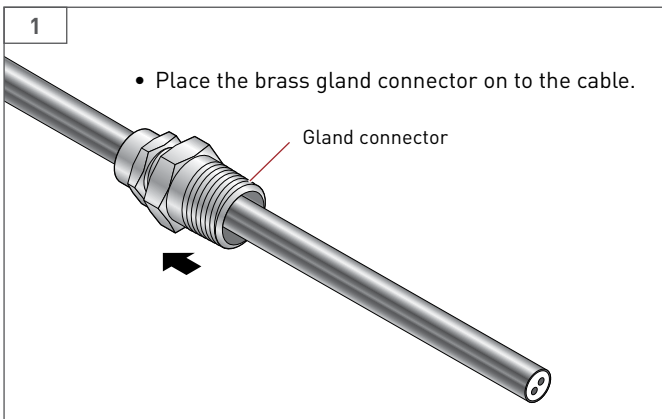
The Pyrotenax Pyropotter tool simplifies installation of the pot, allowing it to be installed more quickly, accurately and securely than by any other means.

TOOLS REQUIRED

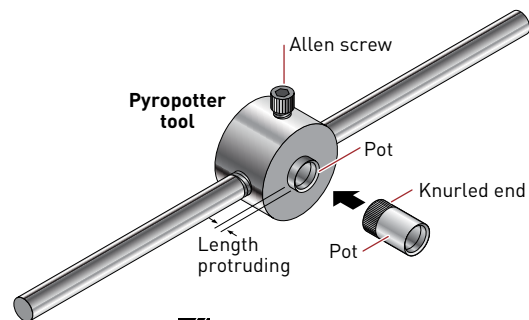
- 3/16 in Allen key for 1/2 in and 3/4 in Pyropotter tools
- 5/16 in Allen key for 1 in and 1-1/4 in Pyropotter tools

KIT CONTENTS

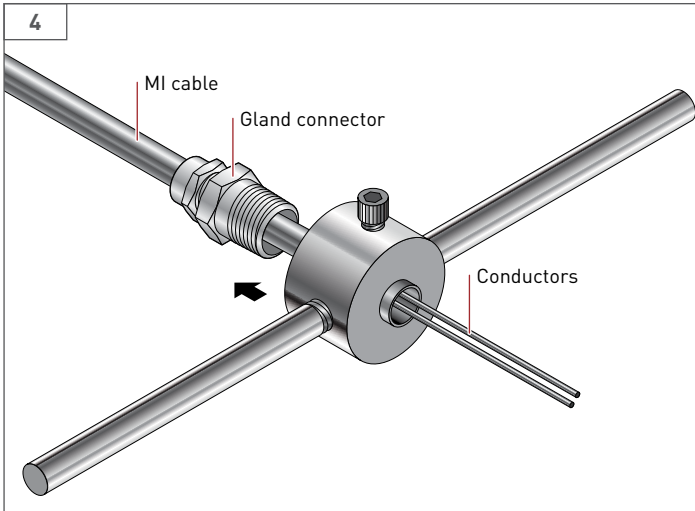
Item	Qty	Description
A	1	Pyropotter tool
B	1	This instruction sheet



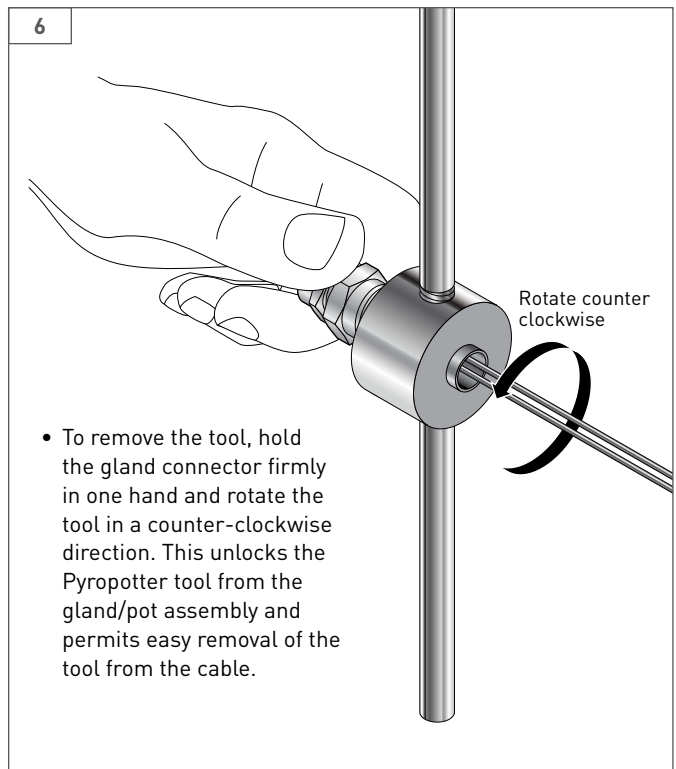
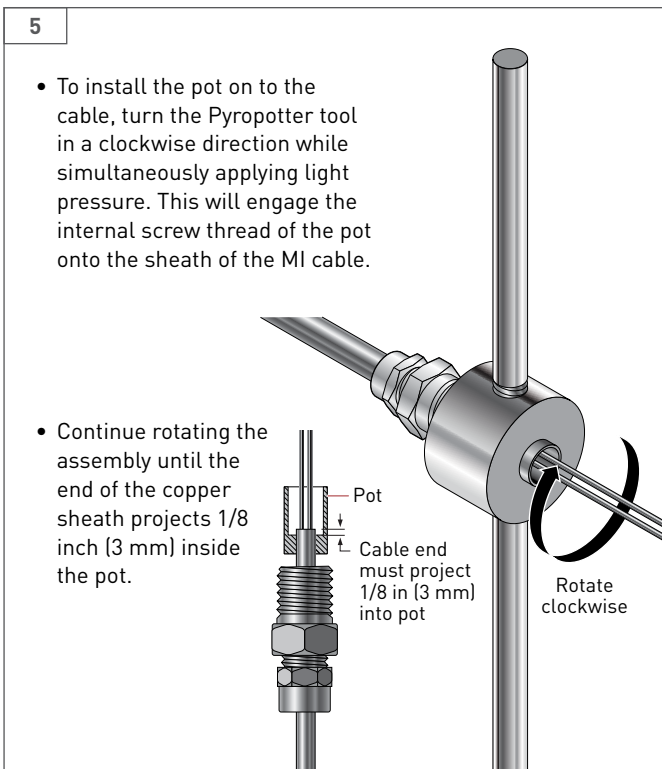
- Next, tighten the Allen screw on to the pot. Use a 3/16 in Allen key for the 1/2 in and 3/4 in Pyropotter tool and a 5/16 in Allen key for the 1 in and 1-1/4 in Pyropotter tool.



Note: Ensure that the Allen screw is tightened onto the knurled end of the pot.



- Slide the Pyropotter/pot assembly over the exposed conductors of the cable, threaded end of Pyropotter first, until it stops at the face of the cable.
- Screw the gland connector (already on the cable) all the way into the threaded end of the Pyropotter tool - finger tight is sufficient.



WWW.PENTAIRTHERMAL.COM

NORTH AMERICA

Tel: +1.800.545.6258
Fax: +1.800.527.5703
Tel: +1.650.216.1526
Fax: +1.650.474.7711
thermal.info@pentair.com

EUROPE, MIDDLE EAST, AFRICA

Tel: +32.16.213.511
Fax: +32.16.213.603
thermal.info@pentair.com

ASIA PACIFIC

Tel: +86.21.2412.1688
Fax: +86.21.5426.2937
cn.thermal.info@pentair.com

LATIN AMERICA

Tel: +1.713.868.4800
Fax: +1.713.868.2333
thermal.info@pentair.com

Pentair is owned by Pentair or its global affiliates. All other trademarks are the property of their respective owners. Pentair reserves the right to change specifications without prior notice.

© 2013-2016 Pentair.

@pentairTBS