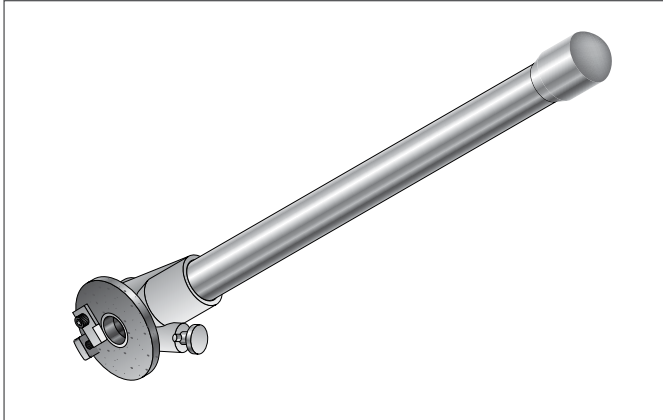


PYROTENAX RATCHET TYPE STRIPPING TOOL

USER INSTRUCTIONS FOR TOOL USED TO STRIP COPPER SHEATHED MINERAL INSULATED WIRING CABLES



DESCRIPTION

The Pyrotanax Ratchet Type Stripping Tool strips copper sheath MI cables with diameters of 0.684 inches and greater with minimum effort. The ratchet stripper head must be inserted into a manual conduit threading tool (not supplied). A cable guide bushing is required for each cable diameter to be stripped.

TOOLS AND ACCESSORIES REQUIRED

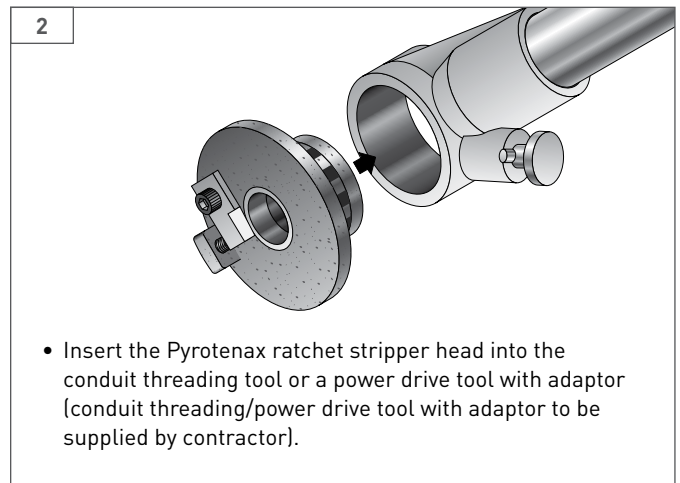
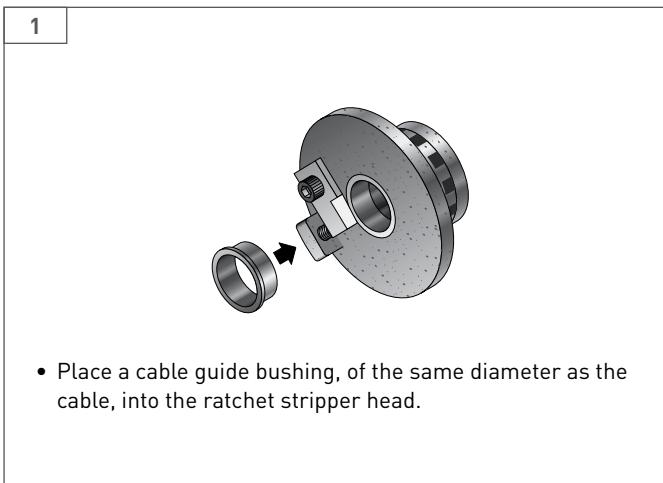
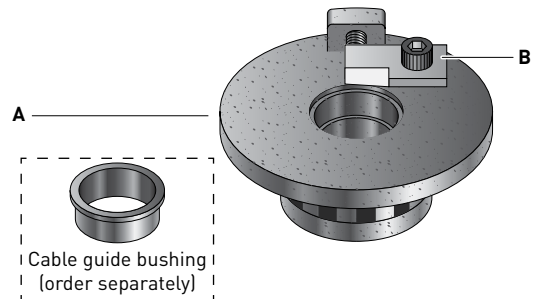
- Manual ratchet type conduit threading tool (RIDGID® Model 00-R or equal) or power drive tool with adapter (RIDGID® Model 770 or equal with 00-R adapter)
- Cable guide bushing (available from Pentair Thermal Building Solutions); see Pyrotanax Tools Data Sheet, H57603, for ordering information
- Handvise (available from Pentair Thermal Building Solutions)
- Safety glasses and protective gloves

REPLACEMENT PARTS

PSTRIPB Replacement blade for Ratchet Type Stripping Tool

KIT CONTENTS

Item	Qty	Description
A	1	Ratchet stripper head
B	1	Blade



⚠ WARNING:

- Wear safety glasses and protective gloves to avoid injury.

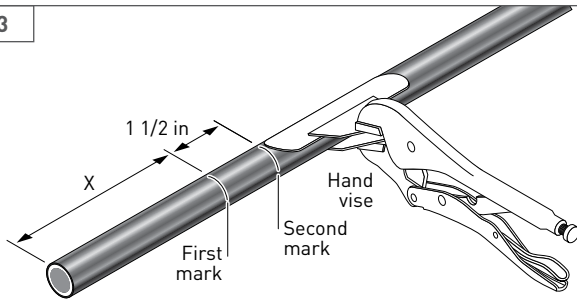
⚠ IMPORTANT:

- To prevent moisture from entering the cable and to maintain the high performance of MI cable, the cable ends must be sealed as soon as the cable has been cut to length and the

sheath removed as the magnesium oxide insulation will absorb moisture, lowering the insulation resistance.

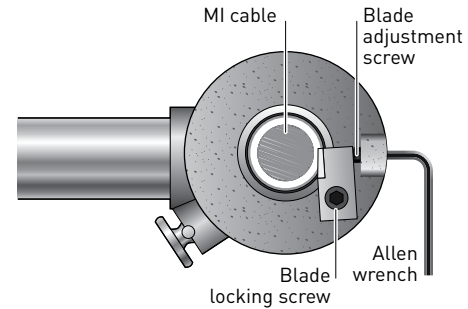
- Do not use the ratchet stripper head to straighten the cable.

3



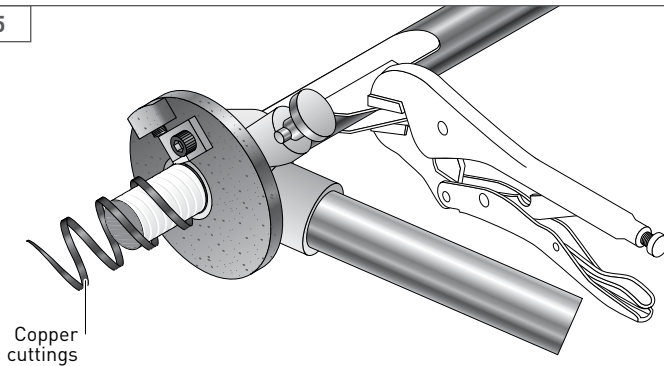
- Prior to stripping, the cable should be reasonably straight and end should be cut square.
- Measure the length of sheath to be stripped (refer to installation instruction supplied with the termination kit) and mark sheath. Place a second mark 1-1/2 in from this first mark.
- Grip the cable firmly with the handvise at the second mark so as to make the final cut against a stop which is square to the cable.

4



- Slip the stripper head over the cable. Loosen the blade locking screw and adjust the blade position with the blade adjustment screw until the cutting edge lies midway between inside of sheath and outside of nearest conductor. Tighten the blade locking screw. The blade must not touch the conductors.
- Note:** The cable must enter the stripper head through the cutting head shaft, butting against the blade from inside the stripper head.

5



- Gently apply pressure to the front of the stripper head while at the same time moving the handle down in order to start the threading tool.
- Use a ratchet motion of the handle to strip the cable sheath. When the stripping tool touches the edge of the handvise, it will stop and make a clean cut on the cable sheath. The copper cuttings can now be removed and the stripping tool withdrawn.
- Cable is now ready for sealing.

WARNING: Wear gloves when removing copper cuttings to avoid cuts.



WWW.PENTAIRTHERMAL.COM

NORTH AMERICA

Tel: +1.800.545.6258
 Fax: +1.800.527.5703
 Tel: +1.650.216.1526
 Fax: +1.650.474.7215
 thermal.info@pentair.com

EUROPE, MIDDLE EAST, AFRICA

Tel: +32.16.213.511
 Fax: +32.16.213.603
 thermal.info@pentair.com

ASIA PACIFIC

Tel: +86.21.2412.1688
 Fax: +86.21.5426.2937
 cn.thermal.info@pentair.com

LATIN AMERICA

Tel.: +1.713.868.4800
 Fax: +1.713.868.2333
 thermal.info@pentair.com

Pentair is owned by Pentair or its global affiliates. All other trademarks are the property of their respective owners. Pentair reserves the right to change specifications without prior notice.