

Raychem SC CONNECTION KITS AND ACCESSORIES

PRODUCT OVERVIEW

Pentair Industrial Heat Tracing Solutions offers a full range of power connections, splices, and end terminations for use with SC, SC/H and SC/F heating cables. These connection kits must be used to ensure proper functioning of the product and compliance with warranty, code, and approvals requirements.

SC connection kits include specially sized grommets, solder and splices and therefore must be ordered according to the correct SC cable in use. All above-insulation connection kits use a NEMA 4X-rated re-enterable enclosures. All below-insulation connection kits use a high temperature potting compound and are rated NEMA 4.

Approvals

Hazardous Locations

2SC & 3SC Connection Kits



-W,
-WS

Class I, Div. 2, Groups A, B, C, D
Class II, Div. 2, Groups F, G
Class III

For T-Rating, see design documentation

Ex e II T* (see schedule) Ex tD A21 IP66

IECEx BAS 06.0049X⁽¹⁾

Ex e IIC T* Gb - IEx 09.0008X⁽¹⁾

⁽¹⁾ For Above-Insulation Kits only

1SC, 2SC & 3SC Connection Kits



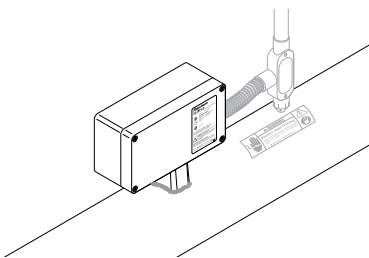
-W,
-WS

Ex e II T^{(2) (3)}

⁽²⁾ For T-Rating, see design documentation

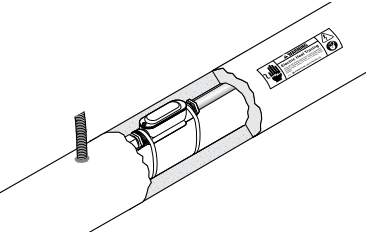
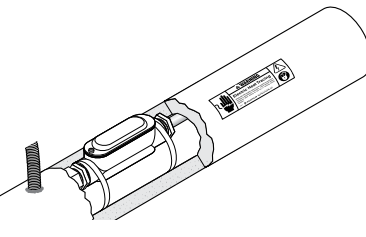
POWER CONNECTION KITS

Product name	Description	Catalog number	Heating cable compatibility (SC, SC/H and SC/F) ⁽¹⁾
Above-Insulation	Polymeric enclosure and stand with captive sealing grommet. The box has one 1" NPT entry hole. Includes 5-ft cold-lead wires.	SC-JBP-S-A	2SC30, 3SC30 2SC40, 3SC40 2SC50, 3SC50
	Box dimensions: 8.6" x 4.7" x 3.6" (220 mm x 120 mm x 90 mm) Stand height: 4.7" (120 mm)	SC-JBP-L-A	2SC60, 3SC60 2SC70, 3SC70 2SC80, 3SC80



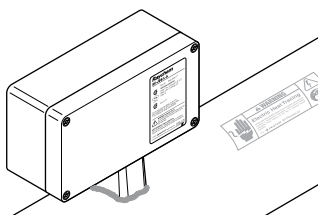
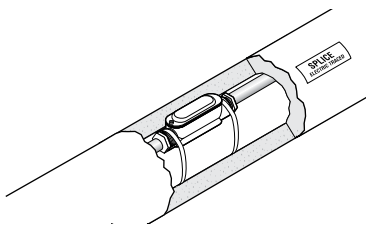
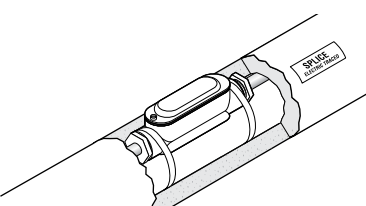
SC CONNECTION KITS AND ACCESSORIES

POWER CONNECTION KITS

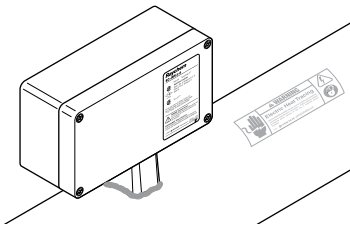
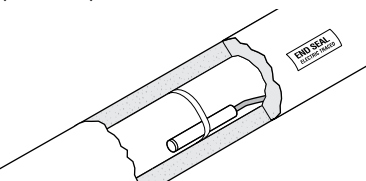
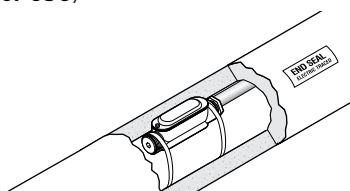
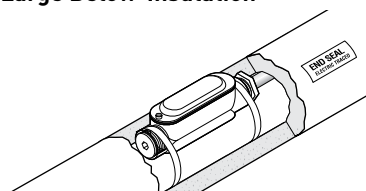
Product name	Description	Catalog number	Heating cable compatibility (SC, SC/H and SC/F) ⁽¹⁾	
Small Below-Insulation 	Copper-free aluminum conduit body with epoxy finish. The conduit body has two 1/2" entries and a large top opening with cover for easy potting. Includes 5-ft cold-lead wires and a 3-ft flexible stainless steel armor.	1SC-12PT	1SC30 1SC40 1SC50	
		2SC-12PT	2SC30 2SC40 2SC50	
	Condulet dimensions: 1/2" body – 5.5" x 1.5" x 1.5" (140 mm x 38 mm x 38 mm)	3SC-12PT	3SC30 3SC40 3SC50	
		<hr/>		
		Large Below-Insulation 	1SC-8PT	1SC60
			1SC-6PT	1SC70
1SC-4PT	1SC80			
Copper-free aluminum conduit body with epoxy finish. The conduit body has two 1" NPT entries and large top opening with cover for easy potting. Includes 5 ft cold-lead wires and a 3-ft flexible stainless steel armor.	2SC-8PT	2SC60		
	2SC-6PT	2SC70		
	2SC-4PT	2SC80		
	Condulet dimensions: 1" body – 7" x 2" x 2" (178 mm x 51 mm x 51 mm)	3SC-8PT	3SC60	
		3SC-6PT	3SC70	
		3SC-4PT	3SC80	

⁽¹⁾ SC/F cables are not available in 1 conductor construction.

SPLICE CONNECTION KITS


Product name	Description	Catalog number	Heating cable compatibility (SC, SC/H and SC/F) ⁽¹⁾
Above-Insulation 	Polymeric enclosure and stand with captive sealing grommet. Box dimensions: 8.6" x 4.7" x 3.6" (220 mm x 120 mm x 90 mm) Stand height: 4.7" (120 mm)	SC-JBS-S-A	2SC30, 3SC30 2SC40, 3SC40 2SC50, 3SC50
		SC-JBS-L-A	2SC60, 3SC60 2SC70, 3SC70 2SC80, 3SC80
Small Below-Insulation 	Copper-free aluminum conduit body with epoxy finish. The conduit body has two 1/2" NPT entries and a large top opening with cover for easy potting. Condulet dimensions: 1/2" body – 5.5" x 1.5" x 1.5" (140 mm x 38 mm x 38 mm)	1SC-SSC	1SC30, 1SC60 1SC40, 1SC70 1SC50, 1SC80
		2SC-SSC	2SC30, 2SC40 2SC50
		3SC-SSC	3SC30, 3SC40 3SC50
Large Below-Insulation 	Copper-free aluminum conduit body with epoxy finish. The conduit body has two 1" NPT entries and a large top opening with cover for easy potting. Condulet dimensions: 1" body – 7" x 2" x 2" (178 mm x 51 mm x 51 mm)	2SC-LSC	2SC60 2SC70 2SC80
		3SC-LSC	3SC60 3SC70 3SC80

END TERMINATION KITS

Product name	Description	Catalog number	Heating cable compatibility (SC, SC/H and SC/F) ⁽¹⁾
Above-Insulation 	Polymeric enclosure and stand with captive sealing grommet. Box dimensions: 8.6" x 4.7" x 3.6" (220 mm x 120 mm x 90 mm) Stand height: 4.7" (120 mm)	SC-JBE-S-A	2SC30, 3SC30 2SC40, 3SC40 2SC50, 3SC50
		SC-JBE-L-A	2SC60, 3SC60 2SC70, 3SC70 2SC80, 3SC80
Small Below-Insulation (for 2SC) 	Stainless steel 1/2" plug with grommet and potting compound. Plug dimensions: 0.5" (12.7 mm) diameter, 2.4" (61 mm) long	2SC-STC	2SC30 2SC40 2SC50
Small Below-Insulation (for 3SC) 	Copper-free aluminum conduit body with epoxy finish. The conduit body has two 1/2" NPT entries and a large top opening with cover for easy potting. Includes threaded NPT close-up plug. Condulet dimensions: 1/2" body - 5.5" x 1.5" x 1.5" (140 mm x 38 mm x 38 mm)	3SC-STC	3SC30 3SC40 3SC50
Large Below-Insulation 	Copper-free aluminum conduit body with epoxy finish. The conduit body has two 1" NPT entries and large top opening with cover for easy potting. Includes threaded NPT close-up plug. Condulet dimensions: 1" body - 7" x 2" x 2" (178 mm x 51 mm x 51 mm)	2SC-LTC	2SC60 2SC70 2SC80
		3SC-LTC	3SC60 3SC70 3SC80

⁽¹⁾ SC/F cables are not available in 1 conductor construction.

IDENTIFICATION TAG

Product name	Description	Catalog number	Heating cable compatibility (SC, SC/H and SC/F)
Circuit Tag 	SC cable circuit identification tag. A metal tag for attachment to the power connection of each circuit. Tag information includes cable catalog number, watts, volts, amps, circuit length, maximum sheath temperature, hazardous location information and circuit number.	SC-NPLATE-CIRCUIT-ID-TAG	All

SC CONNECTION KITS AND ACCESSORIES

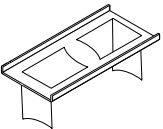
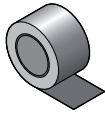
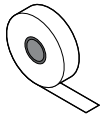
LABELS

Product name	Description	Catalog number	Heating cable compatibility (SC, SC/H and SC/F)
ETL Tag	"Electric Traced" label for identifying traced pipes and tanks.	ETL-ENGLISH	All



ATTACHMENT PRODUCTS

Product name	Description	Catalog number	Heating cable compatibility (SC, SC/H and SC/F)
GT-66	1/2" x 66" (12.5 mm x 20 m) roll of glass tape for attaching heating cable to pipe. Not for stainless steel pipes or for installation temperatures above 40°F (4°C).	GT-66	All
GS-54	1/2" x 54" (62.5 mm x 16.5 m) roll of glass tape for attaching heating cable to pipe. For stainless steel pipes or for any installation temperatures below 40°F (4°C).	GS-54	All
AT-180	2 1/2" x 180" (62.5 mm x 55 m) of aluminum tape for attaching cable to pipe. Minimum installation temperature is 32°F (0°C).	AT-180	All
Pipe Adapter	Pipe adapter for SC-JB Kits to increase the stand height by 1.5".	SC-JB-PIPE ADAPTER	All





WWW.PENTAIRTHERMAL.COM

NORTH AMERICA

Tel: +1.800.545.6258
Fax: +1.800.527.5703
Tel: +1.650.216.1526
Fax: +1.650.474.7711
thermal.info@pentair.com

EUROPE, MIDDLE EAST, AFRICA

Tel: +32.16.213.511
Fax: +32.16.213.603
thermal.info@pentair.com

ASIA PACIFIC

Tel: +86.21.2412.1688
Fax: +86.21.5426.2937
cn.thermal.info@pentair.com

LATIN AMERICA

Tel: +1.713.868.4800
Fax: +1.713.868.2333
thermal.info@pentair.com

Pentair and SC are owned by Pentair or its global affiliates. All other trademarks are the property of their respective owners. Pentair reserves the right to change specifications without prior notice.

© 2005–2016 Pentair.