

# PYROTENAX TERMINATION KITS – COMMERCIAL WIRING

For Pyrotenax copper sheathed mineral insulated (MI) wiring cable

---

## PRODUCT OVERVIEW

The Pyropak and QuickTerm termination kits are used to field-terminate Pyrotenax copper sheathed MI wiring cables.

### QuickTerm Termination Kit

The QuickTerm termination kit is used to field-terminate #6 AWG and larger single conductor copper-sheathed MI wiring cable in nonhazardous areas and is available in two versions. The size-for-size QuickTerm kit allows the MI solid conductor to be joined to an equal size flexible tail. The sized-up QuickTerm kit allows the MI solid conductor to be joined to a larger size flexible tail.

The QuickTerm kit contains enough material to terminate two cable ends and offers the following features and benefits:

- Includes a special connector to splice the solid MI conductor to a flexible tail
- Reduces the time required to make the cable termination
- Offers improved flexibility of the tail in the cabinet or enclosure

The flexible tail, supplied by the installer, must be compatible with the current rating of the circuit. The tail size selected will depend on whether a "Size-for-size" or a "Sized-up" QuickTerm is used (see "Table 1 QuickTerm Kit Configuration Information" for QuickTerm tail sizes). For further information on installing QuickTerm kits, refer to:

- QuickTerm Installation Instructions (Size-for-size) (H58290)
- Sized-up QuickTerm Installation Instructions (H58264)
- Service Entrance QuickTerm Termination Kit Installation Instructions (H58379)

### Pyropak Termination Kit

Pyropak termination kits are available for all copper sheathed cables. 14 AWG to 8 AWG single conductor and all multiconductor copper-sheathed cables must be terminated with a Pyropak termination kit.

Pyropak kits are approved for use in nonhazardous and hazardous areas. The cable end is sealed using either a mastic sealing compound or an epoxy sealing compound, depending on the temperature rating required. Each kit contains enough material to terminate two cable ends.

To reduce installation time, mineral insulated wiring cables can be supplied with factory terminated ends. Copper-sheathed cables are supplied with brass gland connectors and the cable ends are sealed using the epoxy sealing compound. Refer to the System 1850 data sheet (H57442) and the System 1850 Twisted Pair data sheet (H57473) for further information on wiring cables for use in commercial applications.

Pyrotenax mineral insulated wiring cables are approved as a complete system only when used with the appropriate Pyrotenax termination kit. The use of nonapproved components will compromise the reliability of the system and invalidate approvals and warranties.

For more information on termination kits for MI cable, contact your Pentair Thermal Building Solutions representative or phone (800) 545-6258.

## TERMINATION KITS

### Copper-sheathed cables

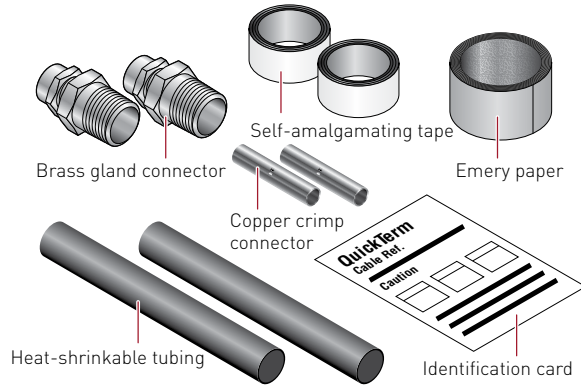
Pyropak	Yes
QuickTerm (single conductor cables)	Yes*

\* Available for #6 AWG and larger cables

## QUICKTERM TERMINATION KITS FOR SINGLE CONDUCTOR COPPER-SHEATHED CABLES

---

# TERMINATION KITS



Termination type	Field termination (for two cable ends)
Seal type	Self-amalgamating tape
Temperature rating	194°F (90°C) maximum
Gland connector	Brass
Gland size	1/2", 3/4", 1", or 1-1/4" NPT depending on cable size
Cable configurations	For #6 AWG and larger single conductor copper-sheathed cables
Tail type and AWG size	Supplied by installer (see for tail size)

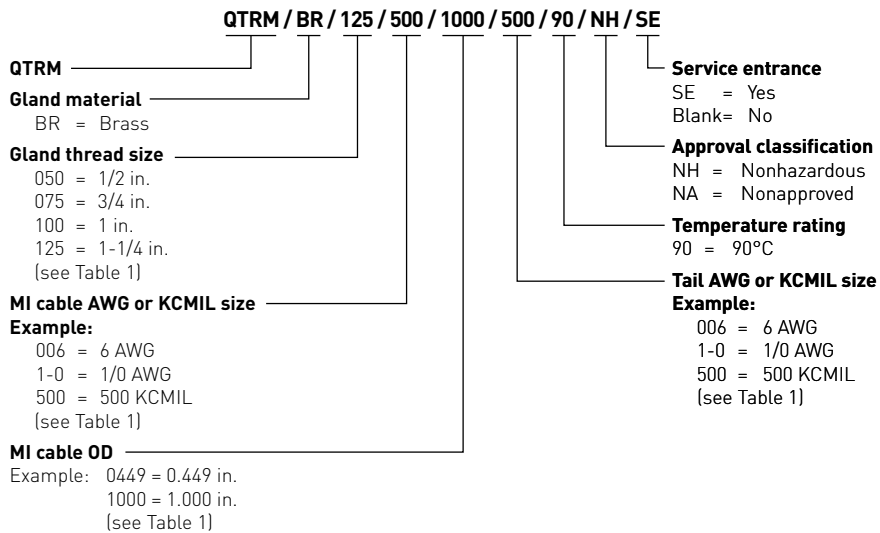
**Note:** Use a cable certified for the application

## APPROVALS



Nonhazardous Locations

## QUICKTERM KIT CATALOG NUMBER CONFIGURATOR



**Example:** Sized-up QuickTerm kit required for 1/3/0-621, single conductor # 3/0 AWG cable to use a 350 kcmil tail is:  
**Catalog No.: QTRM / BR / 075 / 3-0 / 0621 / 350 / 90 / NH**

**TABLE 1 QUICKTERM KIT CONFIGURATION INFORMATION****System 1850 - Fire-rated MI cable**

Common information for all QuickTerm kits				Tail size required for Sized-up QuickTerm <sup>1</sup> (AWG / kcmil)	Tail size required for Size-for-size QuickTerm <sup>1</sup> (AWG / kcmil)
MI cable reference number	Gland thread size (in)	MI cable size (AWG / kcmil)	MI cable diameter (in)		
1/6-340	1/2	6	0.340	2	6
1/4-402	1/2	4	0.402	1/0	4
1/3-449	3/4	3	0.449	2/0	3
1/2-449	3/4	2	0.449	3/0	2
1/1-496	3/4	1	0.496	4/0	1
1/1/0-512	3/4	1/0	0.512	4/0	1/0
1/2/0-580	3/4	2/0	0.580	250	2/0
1/3/0-621	3/4	3/0	0.621	350	3/0
1/4/0-684	1	4/0	0.684	500	4/0
1/250-746 <sup>2</sup>	1-1/4	250	0.746	500 600	250
1/350-834 <sup>2</sup>	1-1/4	350	0.834	500 750	350
1/500-1000	1-1/4	500	1.000	750	500

<sup>1</sup> Stranded conductor tail to be supplied by contractor / installer.

<sup>2</sup> Sized-up QuickTerm: select the appropriate tail size for application.

**System 1850-SE - Service Entrance MI cable**

Common information for all QuickTerm kits				Tail size required for Sized-up QuickTerm <sup>1</sup> (AWG / kcmil)	Tail size required for Size-for-size QuickTerm <sup>1</sup> (AWG / kcmil)
MI cable reference number	Gland thread size (in)	MI cable size (AWG / kcmil)	MI cable diameter (in)		
1/350-834 <sup>2</sup>	1-1/4	350	0.834	500 750	350
1/500-1000	1-1/4	500	1.000	750	500

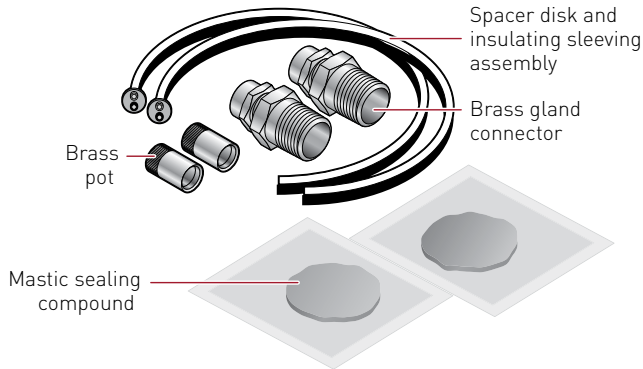
<sup>1</sup> Stranded conductor tail to be supplied by contractor / installer.

<sup>2</sup> Sized-up QuickTerm: select the appropriate tail size for application.

# TERMINATION KITS

## PYROPAK TERMINATION KITS FOR COPPER-SHEATHED CABLES

### Mastic sealing compound



Termination type: Field termination (for two cable ends)  
 Pot type: Threaded pot/screw-on pot  
 Seal type: Mastic sealing compound  
 Temperature rating:

Maximum Temperature	Mastic	Tail Sleeving	Area Classification
105°C (221°F)	Standard	PVC	Hazardous and nonhazardous

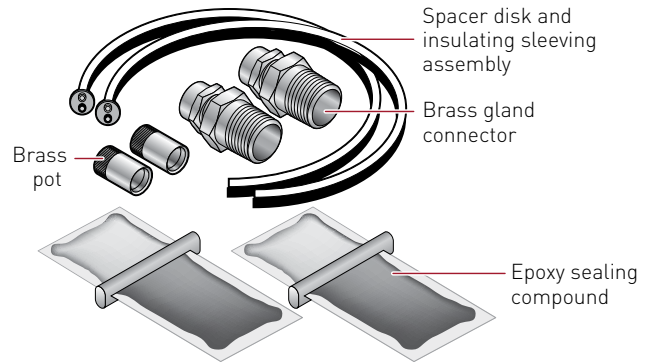
Gland connector: Brass  
 Gland size: 1/2", 3/4", 1", or 1-1/4" NPT depending on cable size  
 Cable configurations: For single and multiconductor cables  
 Standard tail length: 12 in (30 cm) or 36 in (91 cm) (If longer tail lengths are required, contact Pentair)  
 Tail AWG size: 16 AWG – 500 kcmil solid

### APPROVALS



**Nonhazardous Locations**  
**Hazardous Locations**  
 Class I, Div. 1 and 2, Groups A, B, C, D  
 Class II, Div. 1 and 2, Groups E, F, G  
 Class III

### Epoxy sealing compound



Termination type: Field termination (for two cable ends)  
 Pot type: Threaded pot/screw-on pot  
 Seal type: Epoxy sealing compound  
 Temperature rating:

Maximum Temperature	Epoxy	Tail Sleeving	Area Classification
221°F (105°C)	Standard	PVC	Hazardous and nonhazardous
248°F (120°C)	Standard	Silicone fiberglass	Hazardous and nonhazardous
302°F (150°C)	Optional	Silicone fiberglass	Hazardous and nonhazardous
392°F (200°C)	Optional	Silicone fiberglass	Nonhazardous

Gland connector: Brass  
 Gland size: 1/2", 3/4", 1", or 1-1/4" NPT depending on cable size  
 Cable configurations: For single and multiconductor cables  
 Standard tail length: 12 in (30 cm) or 36 in (91 cm) (If longer tail lengths are required, contact Pentair)  
 Tail AWG size: 16 AWG – 500 kcmil solid

### APPROVALS



**Nonhazardous Locations**  
**Hazardous Locations**  
 Class I, Div. 1 and 2, Groups A, B, C, D  
 Class II, Div. 1 and 2, Groups E, F, G  
 Class III

**Note:** For field-terminated cables, tails are obtained by stripping back the cable sheath; refer to the product installation instructions for details.

**PYROPAK KIT CATALOG NUMBER CONFIGURATOR FOR COPPER-SHEATHED CABLE**

**Imperial: PPAK / BR / 125 / T 1 / 1000 / 105 / D1 / 01 / 500 / A036B012IN**  
**or**  
**Metric: PPAK / BR / 125 / T 1 / 1000 / 105 / D1 / 01 / 500 / A091B030CM**

**PPAK**

**Gland material**

BR = Brass

**Gland thread size**

050 = 1/2 in.  
 075 = 3/4 in.  
 100 = 1 in.  
 125 = 1-1/4 in.  
 (see Table 2)

**Type of pot**

T = Threaded pot/screw-on pot

**Tail material**

1 = PVC sleeving\*  
 3 = Silicone fiberglass sleeving\*\*

**MI cable OD**

Example: 0449 = 0.449 in.  
 1000 = 1.000 in.  
 (see Table 2)

**Termination temperature rating (°C)**

**Using standard epoxy sealing compound:**

Temperature	Tail material	Approvals
105	PVC sleeving*	D1/D2/NA/NH
120	Silicone fiberglass sleeving**	D1/D2/NA/NH

**Using optional epoxy sealing compound:**

Temperature	Tail material	Approvals
150	Silicone fiberglass sleeving**	D1/D2/NA/NH
200	Silicone fiberglass sleeving**	NA/NH

**Using mastic sealing compound:**

Temperature	Tail material	Approvals
105	PVC sleeving*	D1/D2/NA/NH

**Tail length both ends & unit of measure**

**Imperial example:**

A036B012IN = 36" tail end "A", 12" tail end "B"

**Metric example:**

A091B030CM = 91 cm tail end "A", 30 cm tail end "B"

**Note:** A Pyropak kit includes material to terminate both ends of a cable run. Select tail length for each end.

**AWG or KCMIL size**

**Example:**

016 = 16 AWG  
 1-0 = 1/0 AWG  
 500 = 500 KCMIL  
 (see Table 2)

**Number of conductors**

**Example:**

01 = 1 conductor  
 04 = 4 conductors  
 10 = 10 conductors

**Area classification**

D1 = Class I, Div 1 & 2, Groups A, B, C & D  
 Class II, Div 1 & 2, Groups E, F & G  
 Class III

**Note:** For D1 locations, epoxy sealing compound is normally supplied.

D2 = Class I, Div 2, Groups A, B, C & D  
 Class II, Div 2, Groups E, F & G  
 Class III

NA = Nonapproved  
 NH = Nonhazardous

**Note:** Specify "Standard" or "Optional" epoxy sealing compound or "Mastic" sealing compound when ordering.

\* PVC sleeving is standard

\*\* Select Silicone fiberglass sleeving if termination will be exposed to temperatures between 105°C and 200°C

**Legend**

D1 = Division 1  
 D2 = Division 2  
 NA = Nonapproved  
 NH = Nonhazardous

**Example:** Pyropak kit required for 4/14-465, four-conductor, # 14 AWG cable, for Class I, Div 1, with 12 in PVC insulated tails on both ends, and using standard epoxy sealing compound is:

**Catalog No.: PPAK / BR / 075 / T1 / 0465 / 105 / D1 / 04 / 014 / A012B012IN with standard epoxy sealing compound**

## TERMINATION KITS

**TABLE 2 PYROPAK KIT CONFIGURATION INFORMATION FOR COPPER-SHEATHED CABLES**

<b>System 1850 – Fire-rated MI cable</b>			
<b>MI Cable reference number</b>	<b>Gland thread size (in)</b>	<b>MI cable diameter (in)</b>	<b>MI cable size (AWG/kcmil)</b>
<b>Single conductor</b>			
1/16-215	1/2	0.215	16
1/14-230	1/2	0.230	14
1/12-246	1/2	0.246	12
1/10-277	1/2	0.277	10
1/8-298	1/2	0.298	8
1/6-340	1/2	0.340	6
1/4-402	1/2	0.402	4
1/3-449	3/4	0.449	3
1/2-449	3/4	0.449	2
1/1-496	3/4	0.496	1
1/1/0-512	3/4	0.512	1/0
1/2/0-580	3/4	0.580	2/0
1/3/0-621	3/4	0.621	3/0
1/4/0-684	1	0.684	4/0
1/250-746	1-1/4	0.746	250
1/350-834	1-1/4	0.834	350
1/500-1000	1-1/4	1.000	500
<b>Two conductor</b>			
2/16-340	1/2	0.340	16
2/14-371	1/2	0.371	14
2/12-402	1/2	0.402	12
2/10-449	3/4	0.449	10
2/8-512	3/4	0.512	8
2/6-590	3/4	0.590	6
2/4-684	1	0.684	4
2/3-768	1-1/4	0.768	3
2/2-865	1-1/4	0.865	2
2/1-975	1-1/4	0.975	1
<b>Three conductor</b>			
3/16-355	1/2	0.355	16
3/14-387	1/2	0.387	14
3/12-480	3/4	0.480	12
3/10-480	3/4	0.480	10
3/8-590	3/4	0.590	8
3/6-621	3/4	0.621	6
3/4-746	1-1/4	0.746	4
3/3-834	1-1/4	0.834	3
<b>Four conductor</b>			
4/16-387	1/2	0.387	16
4/14-465	3/4	0.465	14
4/12-465	3/4	0.465	12
4/10-590	3/4	0.590	10
4/8-590	3/4	0.590	8
4/6-730	1-1/4	0.730	6

**TABLE 2 PYROPAK KIT CONFIGURATION INFORMATION FOR COPPER-SHEATHED CABLES**

<b>System 1850 – Fire-rated MI cable</b>			
<b>MI Cable reference number</b>	<b>Gland thread size (in)</b>	<b>MI cable diameter (in)</b>	<b>MI cable size (AWG/kcmil)</b>
<b>Seven conductor</b>			
7/16-449	3/4	0.449	16
7/14-496	3/4	0.496	14
7/12-543	3/4	0.543	12
7/10-621	1	0.621	10
7/8-710	1-1/4	0.710	8
<b>Twisted pair (two conductor)</b>			
2/18-215T	1/2	0.215	18
2/16-246T	1/2	0.246	16
<b>Shielded twisted pair (two conductor)</b>			
2/18-324TS	3/4	0.324	18
2/16-364TS	3/4	0.364	16



[WWW.PENTAIRTHERMAL.COM](http://WWW.PENTAIRTHERMAL.COM)

**NORTH AMERICA**

Tel: +1.800.545.6258  
Fax: +1.800.527.5703  
Tel: +1.650.216.1526  
Fax: +1.650.474.7711  
[thermal.info@pentair.com](mailto:thermal.info@pentair.com)

**EUROPE, MIDDLE EAST, AFRICA**

Tel: +32.16.213.511  
Fax: +32.16.213.603  
[thermal.info@pentair.com](mailto:thermal.info@pentair.com)

**ASIA PACIFIC**

Tel: +86.21.2412.1688  
Fax: +86.21.5426.2937  
[cn.thermal.info@pentair.com](mailto:cn.thermal.info@pentair.com)

**LATIN AMERICA**

Tel: +1.713.868.4800  
Fax: +1.713.868.2333  
[thermal.info@pentair.com](mailto:thermal.info@pentair.com)

Pentair is owned by Pentair or its global affiliates. All other trademarks are the property of their respective owners. Pentair reserves the right to change specifications without prior notice.

© 2009–2016 Pentair.

@pentairTBS