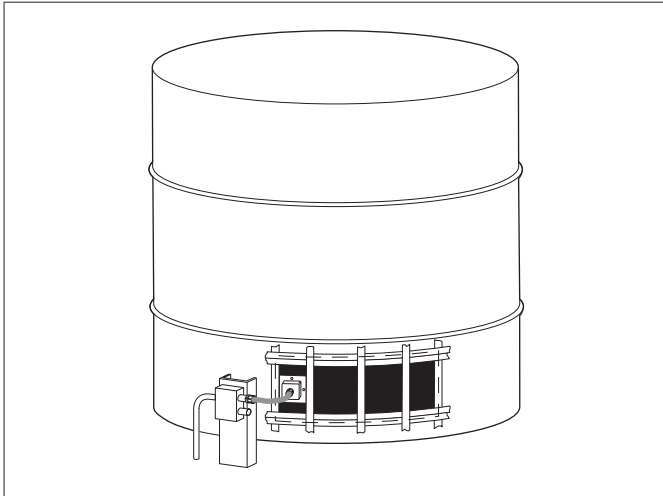


Raychem RHS Installation Kit

RAYCHEM HEATING SYSTEM TANK HEATER INSTALLATION KIT INSTALLATION INSTRUCTIONS



DESCRIPTION

The RHS installation kit is used for attaching RHS tank heaters to a tank wall. The kit contains materials for mounting up to two RHS tank heaters. RHS-H-500 and RHS-L-150 heaters will each require approximately one adhesive tube; RHS-H-1000 and RHS-L-300 heaters will each require approximately one and one half tubes of adhesive; and RHS-H-1400 and RHS-L-420 heaters will each require two tubes of adhesive.

The installation kit must be used in conjunction with the Raychem Heating System Installation Instructions (H55207). For technical support call (800) 545-6258.

Note: Do not use the RTV adhesive if the date stamp has expired. Contact your Pentair Thermal Management representative for a new kit.

Pentair Thermal Management requires the use of GE RTV106 for installing RHS heaters.

APPROVALS

Ordinary and Hazardous Locations

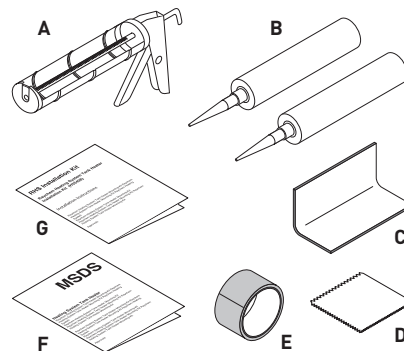


Class I, Div. 2, Groups B, C, D
 Class II, Div. 1 & 2, Groups E, F, G
 Class III
 All hazardous location applications must be engineered by Pentair Thermal Management.

T-ratings:
 Low-watt heaters: T4A
 High-watt heaters (Class I): T2C
 High-watt heaters (Class II & III): Contact Pentair Thermal Management

KIT CONTENTS

Item	Qty	Description
A	1	Caulking gun
B	2	RTV adhesive tubes
C	1	Wedge
D	1	Trowel
E	1	AT-180 tape (30 feet)
F	1	MSDS VEN/0004
G	1	Installation instructions



CAUTION:

Uncured adhesive can irritate eyes. Read warnings on tube. Consult MSDS VEN/0004 for additional information.



WWW.THERMAL.PENTAIR.COM

NORTH AMERICA

Tel: +1.800.545.6258
Fax: +1.800.527.5703
Tel: +1.650.216.1526
Fax: +1.650.474.7711
thermal.info@pentair.com

EUROPE, MIDDLE EAST, AFRICA

Tel: +32.16.213.511
Fax: +32.16.213.603
thermal.info@pentair.com

ASIA PACIFIC

Tel: +86.21.2412.1688
Fax: +86.21.5426.2917
cn.thermal.info@pentair.com

LATIN AMERICA

Tel: +55.11.2588.1400
Fax: +55.11.2588.1410
thermal.info@pentair.com

Pentair and RHS are owned by Pentair or its global affiliates. All other trademarks are the property of their respective owners. Pentair reserves the right to change specifications without prior notice.