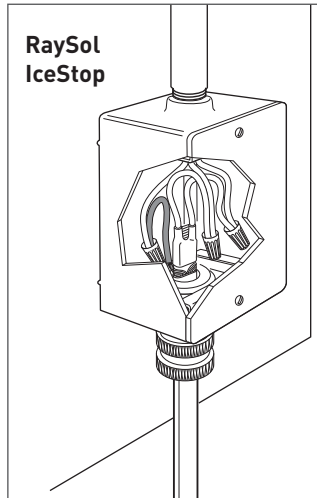
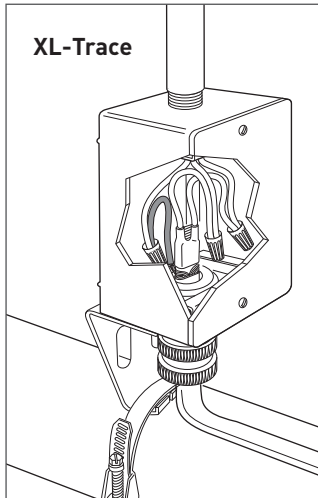


Raychem FTC-P

XL-TRACE, RAYSOL, AND ICESTOP POWER CONNECTION KIT WITH END SEAL INSTALLATION INSTRUCTIONS



DESCRIPTION

The Raychem FTC-P Power Connection and End Seal Kit is for use with XL-Trace, RaySol and IceStop heating cables. Materials for one power connection and one end seal are included in this kit. These installation instructions should be used in conjunction with the XL-Trace, RaySol and IceStop System Installation and Operation Manuals. For technical support contact your Pentair Thermal Management representative or call Pentair Thermal Management at 800-545-6258.

TOOLS REQUIRED

- Screw driver
- Needle-nose pliers
- Utility knife
- Pen
- Diagonal cutters
- Heat gun or propane torch

ADDITIONAL MATERIALS REQUIRED

(NOT PROVIDED IN THIS KIT)

- UL Listed or CSA Certified junction box suitable for the location, with a clearance hole or threaded hub for 1/2-inch NPT. For RaySol applications, the power connection and end seal may be terminated in the same box.

APPROVALS



718K Pipe Heating Cable or 877Z De-Icing and Snow-Melting Equipment or 9J86 Radiant Heating Cable



Certified with XL-Trace, IceStop and RaySol heating cables



For 12XL2-CT, -CR only



With XL-Trace and IceStop heating cables only
For Class I, Div. 2, Groups A, B, C, D hazardous locations-GM-1XT and GM-2XT only

⚠ WARNING:

This component is an electrical device that must be installed correctly to ensure proper operation and to prevent shock or fire. Read these important warnings and carefully follow all the installation instructions.

- To minimize the danger of fire from sustained electrical arcing if the heating cable is damaged or improperly installed, and to comply with the requirements of Pentair Thermal Management, agency certifications, and national electrical codes, ground-fault equipment protection must be used. Arcing may not be stopped by conventional circuit breakers.

- Bus wires will short if they contact each other. Keep bus wires separated.
- Keep components and heating cable ends dry before and during installation.
- The black heating cable core is conductive and can short. It must be properly insulated and kept dry.
- Component approvals and performance are based on the use of Pentair Thermal Management-specified parts only. Do not use substitute parts or vinyl electrical tape.
- Leave these instructions with end user for reference and future use.

⚠ CAUTION:

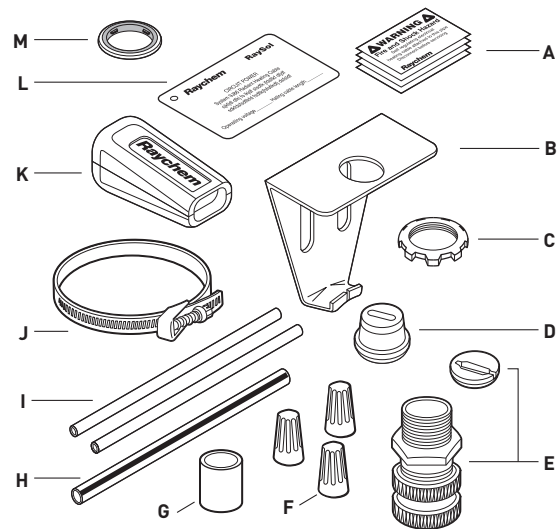
HEALTH HAZARD: Overheating heat-shrinkable tubes will produce fumes that may cause irritation. Use adequate ventilation and avoid charring or burning. Consult MSDS RAY3122 for further information.

CHEMTREC 24-hour emergency telephone:
(800) 424-9300

Non-emergency health and safety information:
(800) 545-6258.

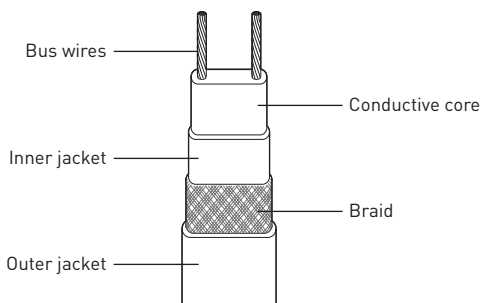
KIT CONTENTS

Item	Qty	Description
A	4	Warning labels
B	1	Pipe mounting bracket
C	1	Lock nut
D	1	Blue grommet
E	1	Sealing fitting
F	3	Wire nuts
G	1	Black heat-shrinkable tube (1/2 in x 1 1/2 in)
H	1	Green/yellow heat-shrinkable tube (1/4 in x 5 1/2 in)
I	2	Black heat-shrinkable tubes (1/8 in x 5 1/2 in)
J	1	#3 pipe strap
K	1	Gel-filled end seal (FTC-E)
L	1	RaySol circuit tag
M	1	Sealing gasket



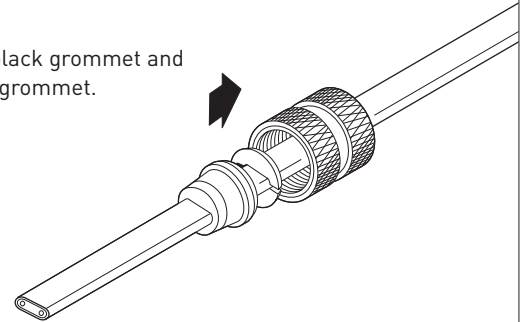
Power Connection Installation

XL-Trace-CR and -CT, RaySol, and IceStop

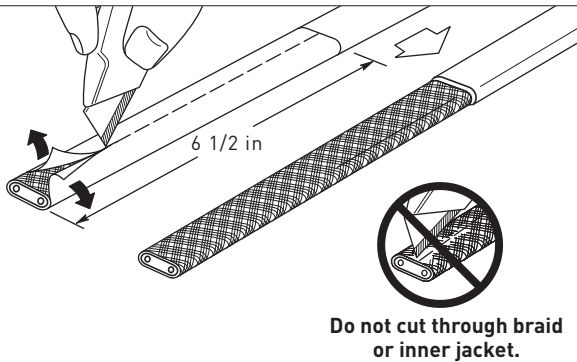


1

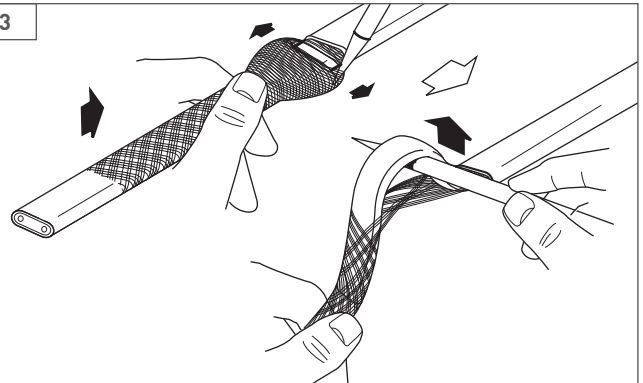
- Discard black grommet and use blue grommet.



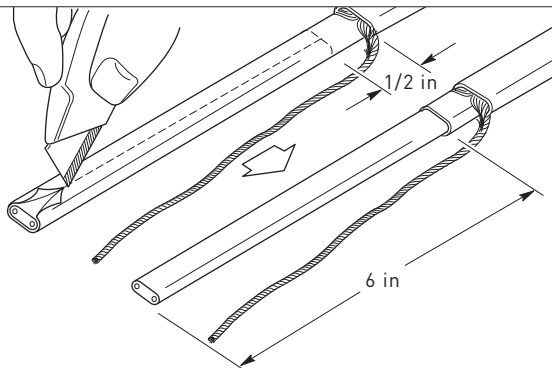
2



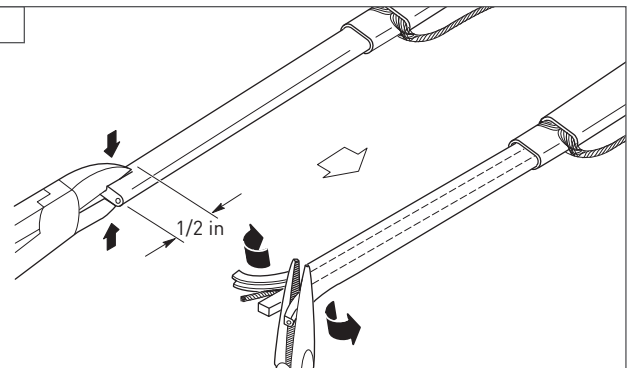
3

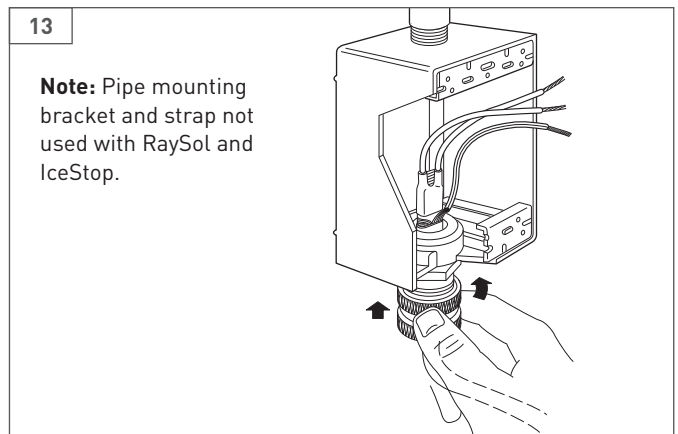
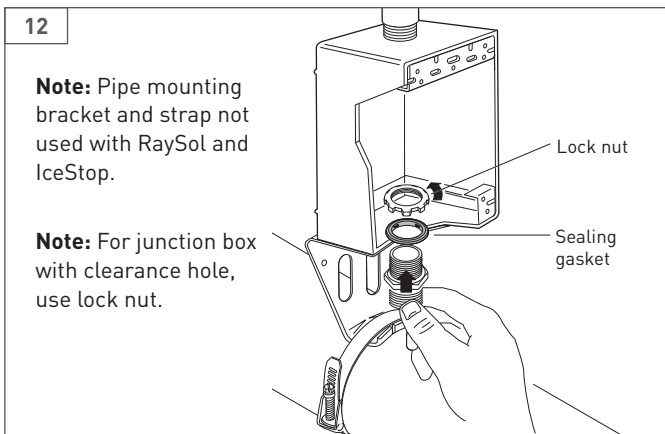
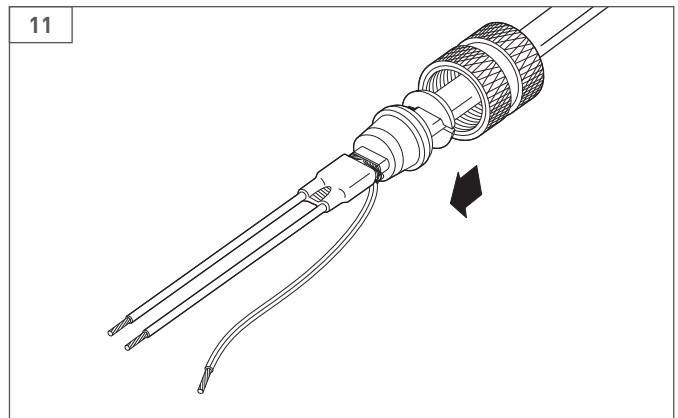
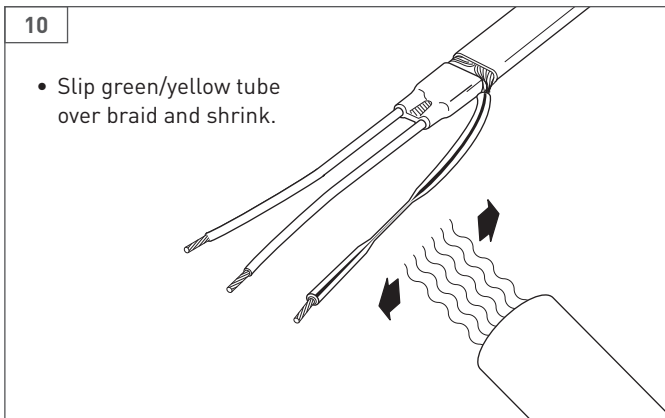
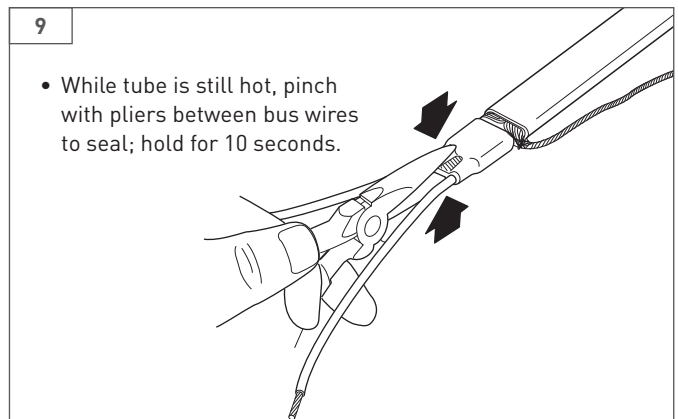
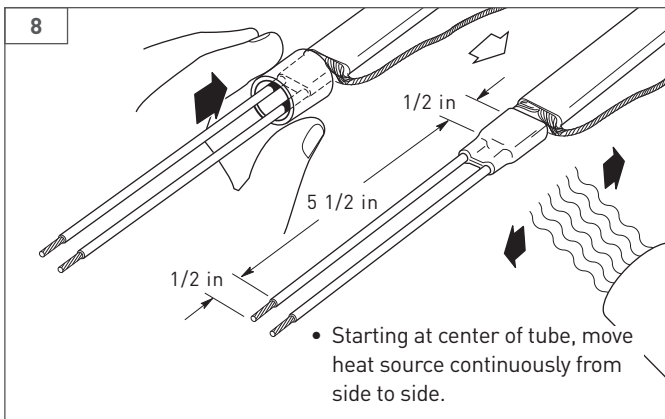
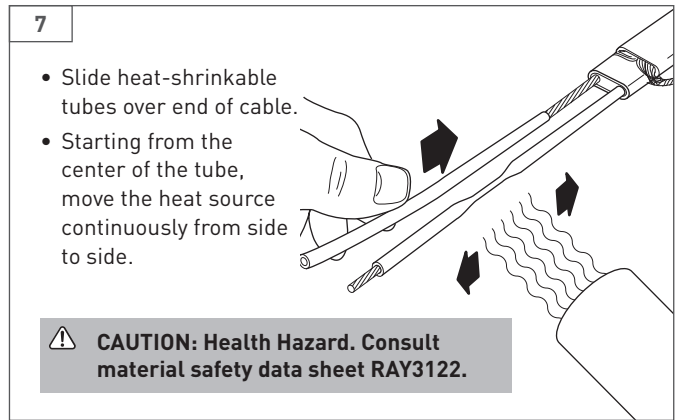
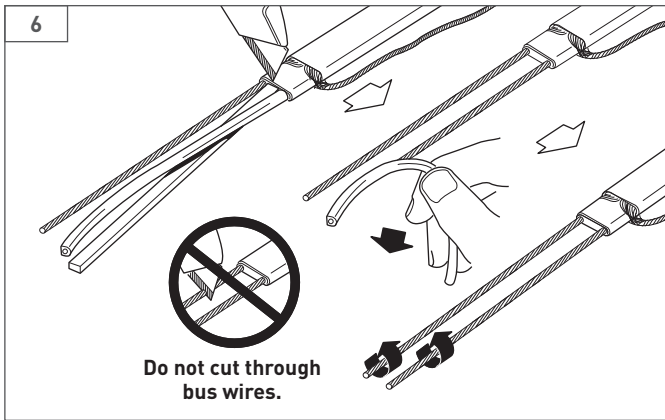


4



5





14

- Attach circuit tag to heating cable (RaySol only).

Ground wire

15

- Apply appropriate warning label to junction box cover:
IceStop = Yellow
RaySol = Orange
XL-Trace = Orange

End Seal Installation for XL-Trace-CR and -CT, RaySol, and IceStop Heating Cables

1

- Score down and around outer jacket 1 inch from the end.
- Remove the outer jacket.
- Do not cut or damage inner jacket. If damaged, remove damaged section and repeat step 1.

2

- Remove exposed braid.

3

- Push end seal completely onto heating cable.

Note: The end seal is designed to be installed only once; it cannot be removed from the heating cable once installed. Do not use until ready for final installation.



WWW.THERMAL.PENTAIR.COM

NORTH AMERICA

Tel: +1.800.545.6258
 Fax: +1.800.527.5703
 Tel: +1.650.216.1526
 Fax: +1.650.474.7711
 thermal.info@pentair.com

EUROPE, MIDDLE EAST, AFRICA

Tel: +32.16.213.511
 Fax: +32.16.213.603
 thermal.info@pentair.com

ASIA PACIFIC

Tel: +86.21.2412.1688
 Fax: +86.21.5426.2917
 cn.thermal.info@pentair.com

LATIN AMERICA

Tel: +55.11.2588.1400
 Fax: +55.11.2588.1410
 thermal.info@pentair.com

Pentair, IceStop, RaySol, and XL-Trace are owned by Pentair or its global affiliates. All other trademarks are the property of their respective owners. Pentair reserves the right to change specifications without prior notice.